

**7.8mm Square Tact Switch (Vertical, SMT/TH Type)**

TSG-63/64T-XXX




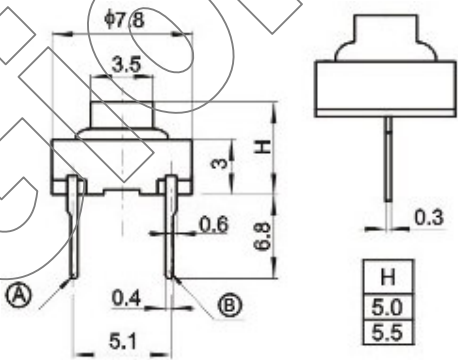
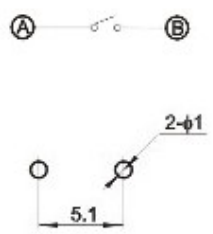
TS - Tact Switch  
 G - G Series  
 63 / 64 - Type  
 T - TH Type  
 XXX - Action Force (gram)

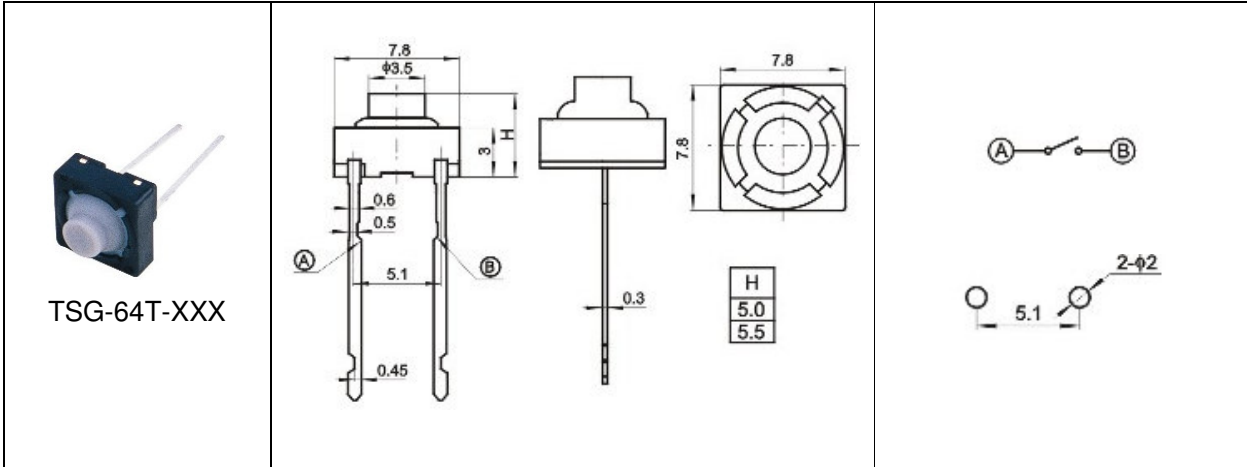
**SPECIFICATIONS**

Mechanical Life: 200,000 cycles for 180g±50g  
 100,000 cycles for 250g±50g  
 Operating Force: 180g±50g, 250g±50g  
 Travel: 0.25±0.1mm  
 Rating: 50mA 12V DC  
 Dielectric Withstanding: 250V AC/minute  
 Insulator Resistance: ≥ 100 MΩ at 100V  
 Contact Resistance: ≤ 100 mΩ/Contact  
 Operating Temperature: -30°C ~ +85°C  
 Storage Temperature: -40°C ~ +85°C

**Material**

Base: PA66/PA6T, UL94V-0  
 Contact material: Phosphor Bronze  
 Contact Spring Plating: Stainless Steel/Silver Plating

Physical Picture	Outline Drawing	Circuit
 <p>TSG-63T-XXX</p>		



GionTech